

# TRACK HEAD INT STANDARD STEM CT2 ADJUSTABLE

Highlight art, objects, places, spaces, seating areas, and architectural details with a classic profile that offers easy-to-adjust, in-field versatility.

PROJECT NAME:	TYPE:
---------------	-------



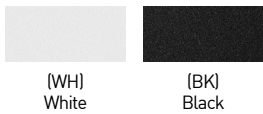
## ORDERING INFORMATION - TRACK HEAD

CYLINDER	FIXTURE	RATING	BODY FINISH	BAFFLE FINISH	ADAPTER FINISH	CRI / WATTAGE PACKAGE	OCT	OPTIC (UGR)	DRIVER	MEDIA
CT2		1							IE2	
CT2 3.25"	<b>AD</b> Adjustable 90° Tilt  <b>WM</b> Locking Track Adaptor, Adjustable 90° Tilt* <small>*(Required for Wall Mount)</small>	1 Dry/Damp	<b>POWDERCOAT</b> <b>WH</b> White <b>BK</b> Black  <b>ALUMINA</b> <b>01</b> Brushed Obsidian <b>02</b> Matte Obsidian <b>03</b> Brushed Dark Patinated Bronze <b>04</b> Matte Dark Patinated Bronze <b>05</b> Brushed Aged Aluminum <b>06</b> Matte Aged Aluminum <b>07</b> Brushed Cast Brass <b>08</b> Matte Cast Brass <b>09</b> Brushed Light Patinated Bronze <b>10</b> Matte Light Patinated Bronze	<b>POWDERCOAT</b> <b>WH</b> White <b>BK</b> Black  <b>ALUMINA</b> <small>CONSULT FACTORY FOR ALUMINA FINISHES</small>	<b>WH</b> White <b>BK</b> Black	<b>STATIC WHITE</b> <b>80S11A</b> 80+ CRI, 11 Watts Delivered Lumens - 1216 <b>80S17A</b> 80+ CRI, 17 Watts Delivered Lumens - 1843 <b>90S11A</b> 90+ CRI, 11 Watts Delivered Lumens - 1045 <b>90S17A</b> 90+ CRI, 17 Watts Delivered Lumens - 1583 <b>97S11A</b> 97+ CRI, 11 Watts Delivered Lumens - 918 <b>97S17A</b> 97+ CRI, 17 Watts Delivered Lumens - 1390  <b>WARM DIM</b> <b>90W18A</b> 90+ CRI, 18 Watts Incandescent Profile Delivered Lumens - 1140 Standard Profile Delivered Lumens - 1128  <small>SEE PAGE 2 FOR WARM DIM PROFILE COMPARISON.</small>	<b>24</b> 2400K* <small>* (90+ CRI only)</small> <b>27</b> 2700K <b>30</b> 3000K <b>35</b> 3500K <b>40</b> 4000K  <b>WL</b> 2700K - 1800K <b>WD</b> 3000K - 1800K	<b>10</b> 10° (<19) <b>15</b> 15° (<13) <b>20</b> 20° (<10) <b>25</b> 25° (<10) <b>40</b> 40° (<10) <b>60</b> 60° (<16)	<b>IE2</b> Electronic 2% ELV / TRIAC 220V-240V	<b>STANDARD MEDIA</b> <b>4</b> Soft Focus Lens* <small>*(Required for 10° optic)</small>  <b>ALTERNATE MEDIA</b> <b>2</b> Honeycomb Louver* <small>*(Not available for Warm Dim)</small> <b>3</b> Clear Glass Lens* <small>*(Not available for Warm Dim)</small> <b>5</b> Frosted Glass Lens <b>6</b> Frosted Soft Focus Lens <b>7</b> Frosted Linear Spread Lens <b>5</b> Soft Focus Lens w/ Honeycomb Louver <b>F</b> Frosted Glass Lens w/ Honeycomb Louver <b>N</b> No Lens* <small>*(Not available for Warm Dim)</small>

### PART NUMBER NOTES

- CT2 ships as e.g., CT2-AD-1-09BK-90S11A2-3-IE2-4B

### POWDERCOAT FINISHES



### ALUMINA FINISHES BY LUCIFER LIGHTING™



# TRACK HEAD INT STANDARD STEM CT2 ADJUSTABLE

## ALTERNATE MEDIA

- HCL-CT2** Honeycomb Louver\*  
\*(Not available for Warm Dim)
- CGL-CT2** Clear Glass Lens\*  
\*(Not available for Warm Dim)
- SFL-CT2** Soft Focus Lens
- FGL-CT2** Frosted Glass Lens
- FSFL-CT2** Frosted Soft Focus Lens
- FLSL-CT2** Frosted Linear Spread Lens

## SECOND MEDIA GASKET

Replaces standard gasket when installing second media. Not required if two media are specified with fixture.

- 2EDG-CT2** Two Media Gasket

## REPLACEMENT OPTICS

Interchangeable optics accessible by removing baffle.

### Static White

- RO-70-15-S** 15° optic
- RO-70-20-S** 20° optic
- RO-70-25-S** 25° optic
- RO-70-40-S** 40° optic
- RO-70-60-S** 60° optic

### Warm Dim

- RO-70-20-W** 20° optic
- RO-70-25-W** 25° optic
- RO-70-40-W** 40° optic
- RO-70-60-W** 60° optic

## STATIC WHITE PERFORMANCE - 3000K

LUMEN PACKAGE	WATTAGE	10° OPTIC SOFT FOCUS LENS		15° OPTIC SOFT FOCUS LENS		20° OPTIC SOFT FOCUS LENS		25° OPTIC SOFT FOCUS LENS		40° OPTIC SOFT FOCUS LENS		60° OPTIC SOFT FOCUS LENS	
		DELIVERED	LPW	DELIVERED	LPW	DELIVERED	LPW	DELIVERED	LPW	DELIVERED	LPW	DELIVERED	LPW
80S11A	11	613	55	1143	104	1216	111	1202	109	1124	102	949	86
80S17A	17	828	49	1750	103	1843	108	1823	107	1690	99	1440	85
90S11A	11	528	48	982	89	1045	95	1033	94	966	88	815	74
90S17A	17	714	42	1503	88	1583	91	1566	92	1452	85	1237	73
97S11A	11	456	41	862	78	918	83	907	82	848	77	716	65
97S17A	17	616	36	1320	78	1390	82	1375	81	1275	75	1086	64
90W18AL (2700K-1800K)	18	-	-	-	-	1140	63	1128	63	1044	58	915	51
90W18AD (3000K-1800K)	18	-	-	-	-	1128	63	1126	63	1063	59	926	51

**Part L** 75+ LPW configurations comply with residential Part L  
95+ LPW configurations comply with commercial Part L

### UNIFIED GLARE RATING

10° OPTIC SOFT FOCUS LENS	15° OPTIC SOFT FOCUS LENS	20° OPTIC SOFT FOCUS LENS	25° OPTIC SOFT FOCUS LENS	40° OPTIC SOFT FOCUS LENS	60° OPTIC SOFT FOCUS LENS
>19	<13	<10	<10	<10	<16

### MEDIA LIGHT LOSS MULTIPLIER

MEDIA	LIGHT LOSS FACTOR
No Lens	1.05
CGL	0.97
SFL	1.00
FGL	0.85
FSFL	0.82
FLSL	0.78
WDL	0.00
HCL	0.75
SFL W/ HCL	0.68
FGL W/ HCL	0.47

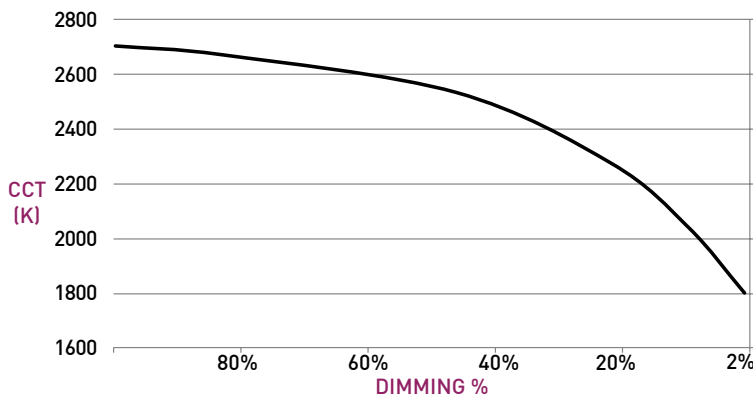
### OUTPUT MULTIPLIER

CCT	CCT SCALE
2400K	0.85
2700K	0.97
3000K	1.000
3500K	1.03
4000K	1.08

## WARM DIM PERFORMANCE - SOFT FOCUS LENS - 20° OPTIC

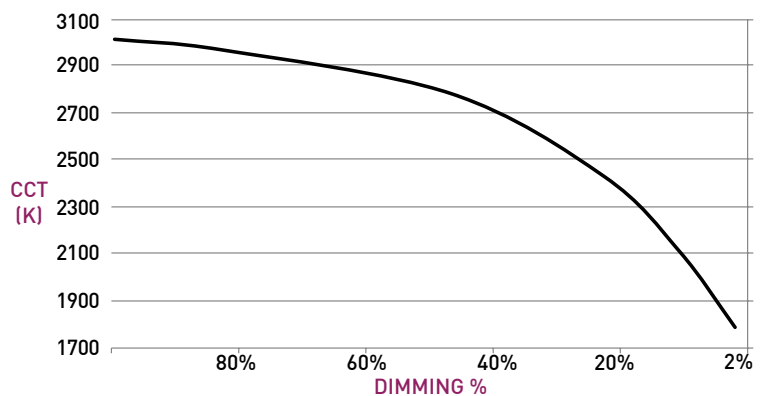
### INCANDESCENT DIMMING PROFILE

90W18AL 2700K - 1800K	Full on 100%	Dimmed to 80%	Dimmed to 70%	Dimmed to 50%	Dimmed to 20%	Dimmed to 10%	Dimmed to 2%
CCT (K)	2700	2650	2620	2520	2180	1950	1800
Light Output (Lm)	1128	902	790	564	226	113	23
Power (W)	18	14.4	12.6	9	3.6	1.8	0.36
Efficacy (LPW)	63	63	63	63	63	63	63



### HALOGEN WARM DIM PROFILE

90W18AD 3000K - 1800K	Full on 100%	Dimmed to 80%	Dimmed to 70%	Dimmed to 50%	Dimmed to 20%	Dimmed to 10%	Dimmed to 2%
CCT (K)	3000	2950	2920	2775	2375	2000	1800
Light Output (Lm)	1140	912	798	570	228	114	23
Power (W)	18	14.4	12.6	9	3.6	1.8	0.36
Efficacy (LPW)	62	62	62	62	62	62	62

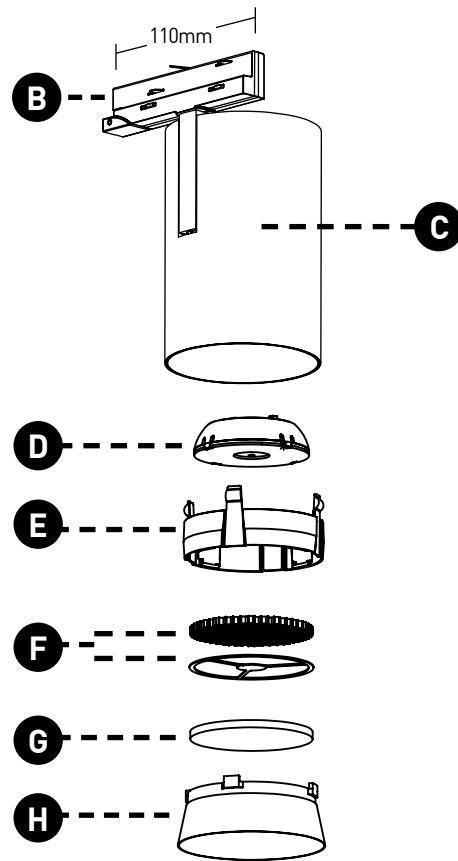
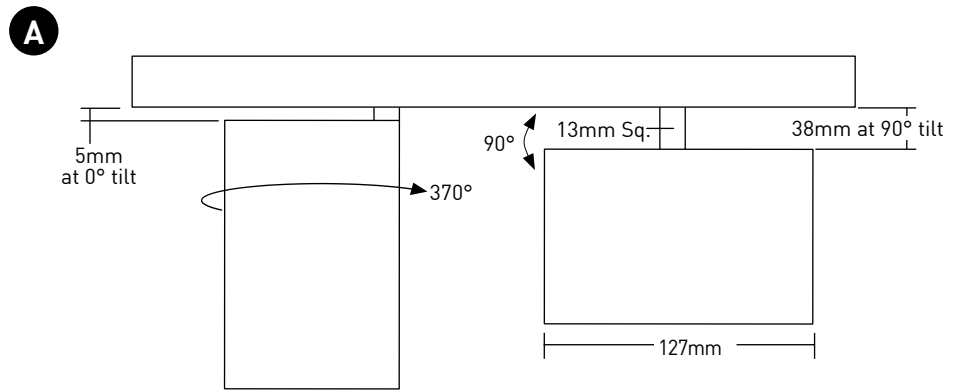


# TRACK HEAD INT STANDARD STEM CT2 ADJUSTABLE

## TRACK HEAD

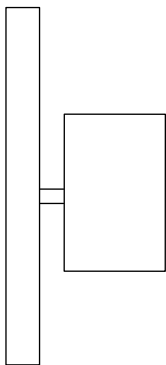
- A ADJUSTABILITY**  
Up to 90° tilt and 370° rotation.
- B TRACK ADAPTER**  
Proprietary asymmetric track adapter; compatible with Lucifer Lighting track only. Available in Black and White finishes to match track systems.
- C BODY**  
Power supply integrated into fixture body. Features integral stem. Available in powdercoat and Alumina finishes.
- D OPTICS**  
Robust light engine with optimized optic pairing integrates Reflection, Refraction, and TIR offering 10°, 15°, 20°, 25°, 40° & 60° beams
- E LENS RETAINER**  
Accepts 2 media devices.
- F 10° FIELD REDUCER**  
Included with 10° optic. Reduces field angle by 30%.
- G MEDIA**  
Soft Focus Lens standard. Wet location media sealed in place.
- H BAFFLE**  
Baffle minimizes aperture glare and conceals view into fixture. Powdercoat finishes standard, consult factory for Alumina finishes.

## DIMENSIONS / DRAWINGS



## WALL MOUNT

- CT2 may be installed in vertical track or wall mounted. Must specify fixture as Wall Mount "WM".



# TRACK HEAD INT STANDARD STEM CT2 ADJUSTABLE

## TECHNICAL

### CONSTRUCTION

**Track Head:** Machined aluminum body; painted finishes are granulated powder coat.

### STATIC WHITE LED

2-step MacAdam ellipse LED module available in 80+, 90+ and 97+ CRI configurations in color temperatures of 2700K, 3000K, 3500K and 4000K. 3-step MacAdam ellipse LED module available in 90+ CRI configuration in color temperature of 2400K. Average rated lamp life of 50,000 hours.

### WARM DIM LED

3-step MacAdam ellipse warm dim LED module available in 90+ CRI configuration. 3000K or 2700K at full brightness, warming to 1800K at full dim. Average rated lamp life of 50,000 hours.

### POWER SUPPLY PERFORMANCE AND DIMMING INFORMATION

Power Supply	IE2
Minimum °C	-20 °C
Maximum °C	40 °C
Dimming %	2.0%

### MOUNTING

Cylinder track head mounts to recessed or surface mount track assemblies, specified separately.

### LISTING

Track heads and drivers CE Listed for dry locations. Drivers ENEC and CB Listed.

### PART L

Part L compliant for all 75+ LPW residential and 95+ LPW commercial configurations.

### WARRANTY

Manufacturer's 1-year warranty guarantees product(s) listed to be free from defects in material and workmanship under normal use and service. 5-year warranty on LED and power supply to operate with 70% of the original flux and remain within a range of 3 duv. Warranty period begins from the date of shipment by Seller. [Consult website for full warranty terms and conditions.](#)

### CHANGE LOG

- 04/07/2022: ADDED ALUMINA FINISHES BY LUCIFER LIGHTING.
- 04/07/2022: TRACKHEAD NOW AVAILABLE WITH TWO EFFECTS DEVICE.
- 04/07/2022: ADDED WALL MOUNT TRACKHEAD.
- 06/07/2022: REMOVED 3200K-1800K WARM DIM AND ADDED 3000K-1800K WARM DIM.
- 10/17/2022: REMOVED CE2 DRIVER AND ADDED CE3 DRIVER.
- 05/12/2023: ADDED LBC RED LIST APPROVED.
- 08/08/2023: ADDED NEW LED AND OPTIC SYSTEM.
- 02/08/2024: ADDED 2400K OFFERING.
- 2/15/2024: PART L COMPLIANCE ADDED.
- 03/18/2024: UPDATED 10 DEGREE NARROW BEAM TO UTILIZE FIELD REDUCER.